



OPEN RING OUTDOOR POD

OPEN RING OUTDOOR MEETING POD

Composite circular shell, fixed table and bench style seating with solid Iroko wood trim, deck board interior lining and flooring.
2-8 people configurations.

External colours



Internal deck board lining colours



Seating & Table colours



Deck board flooring



Additional Options

Solar Power – Solar panel with battery storage, LED lighting, double USB & USB-C charging point

Mains Power – Mains power cable, LED lighting, double USB & USB-C charging point

Wheelchair accessibility – Ramp and reduced size table

Additional USB power socket



Outdoor Meeting Pod

Standard Specification

External

- white composite shell

Seating

- composite deck board with wood grain effect
- sapele hardwood trim

Interior

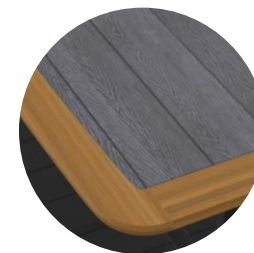
- composite deck board with wood grain effect

Table

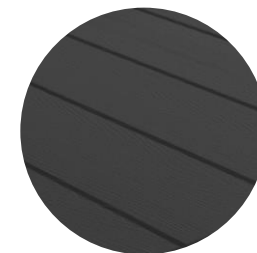
- composite deck board with wood grain effect
- sapele hardwood trim
- black cast steel table leg



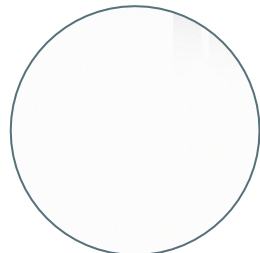
Grey composite deck board interior



Sapele hardwood trim



Composite material deck board flooring with wood grain effect



White gloss exterior shell. Can be made with heat resistant resin upon request.

Outdoor Meeting Pod

Additional Options

External

- any RAL colour shell

Seating/Interior

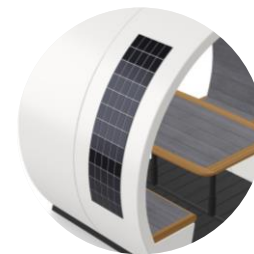
- change to black, chocolate or teak composite deck boards

Accessibility

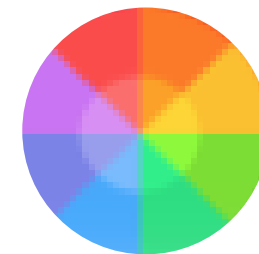
- reduced size table and wheelchair ramp

Power

- solar power – battery storage unit, LED lighting & USB/USB-C charging point
- mains power – battery storage unit, LED lighting & USB/USB-C charging point
- additional USB socket



Solar power



Any RAL colour external shell



DDA wheelchair ramp

Additional Information



Warranty

A 5 year warranty is supplied on the structure of our products covering normal use for the purposes of meetings. In addition, the benefit of any manufacturer's warranty given by a third party supplier of goods will be assigned to the buyer. No liability will be accepted for any defect arising from fair wear and tear, wilful damage, negligence, misuse, alterations or repairs without the seller's approval in writing.



Acoustics

Designed and manufactured by us with acoustics at the forefront of consideration. We have integrated premium materials to maximise our pods acoustic properties, with independent laboratory testing to BS ISO 23351-1:2020 standards to ensure the highest levels of performance.



Installation

For all UK orders, our own engineering team will deliver and install your products.

- Requirements for installations are;
- Local parking
 - Access information to installation site
 - Completion of pre-installation questionnaire
 - Confirmation if site induction required



Worldwide Delivery

Our products can be shipped worldwide.

We do not install outside of the UK. Self assembly will be required; however, we will provide a fully comprehensive installation guide along with helpful 'how to' videos to assist with the build of each product.

Dimensions & Weights

2 person outdoor pod

D750mm x W2500mm x H2150mm

Structure, decking board fit out & seating= 50kg

Table & leg= 16kg

Solar panel & lights= 11kg

Flooring= 19kg



6 person outdoor pod

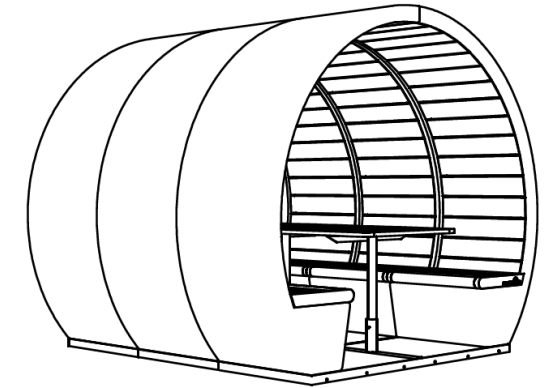
D2250mm x W2500mm x H2150mm

Structure, decking board fit out & seating= 150kg

Table & leg= 48kg

Solar panel & lights= 11kg

Flooring= 56kg



4 person outdoor pod

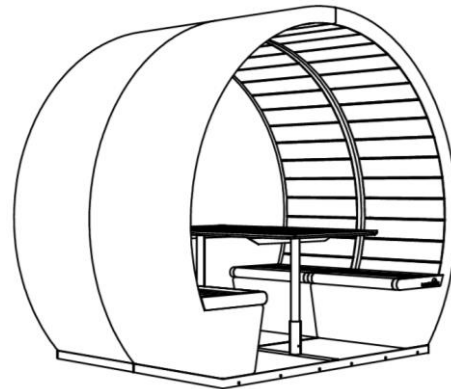
D1500mm x W2500mm x H2150mm

Structure, decking board fit out & seating= 100kg

Table & leg= 32kg

Solar panel & lights= 11kg

Flooring= 37kg



8 person outdoor pod

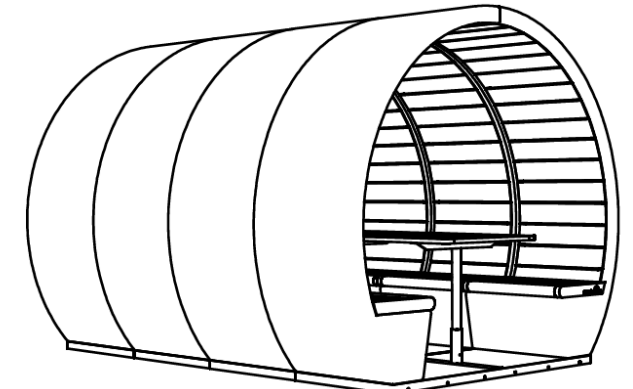
D3000mm x W2500mm x H2150mm

Structure, decking board fit out & seating= 200kg

Table & leg= 64kg

Solar panel & lights= 11kg

Flooring= 74kg



OUR STORY

EXPANSION

Our first business move was from a 450 square foot workshop to a fully operational 3,500 square foot industrial space



PRODUCT GROWTH

In 2019, after much demand, the first outdoor pod product was designed and brought to the market



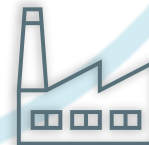
THE PANDEMIC

The 2020 pandemic stimulated an explosion in global demand for outdoor pods with completed projects in the US, Europe and Middle East



OUR SUCCESS

In 2021 following rapid growth we moved into our latest 10,000 square foot manufacturing facility, housing a work force of over 25 staff



HOW IT STARTED

Mike, the CEO of a successful research agency, couldn't find a suitable meeting pod for his business, so he commissioned Tom (his carpenter son-in-law) to build one



THE MEETING POD CO WAS BORN

In 2016 Tom's unique curved design received unanimous praise from Mike's staff and clients and so The Meeting Pod Co Ltd was established



A BIT OF HOME

Inspired by the yachting location, the pods adapted high quality composite materials associated with the Isle of Wight's boat building industry



Contact Us

Website: www.themeetingpod.co.uk

Email: sales@themeetingpod.co.uk

Telephone: 0845 370 6648

Showroom: Finsbury Business Centre,
40 Bowling Green Lane,
London,
EC1R 0NE



SCAN ME

