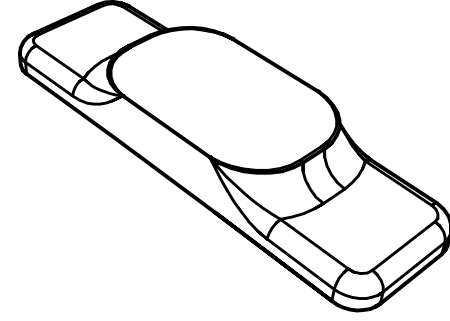
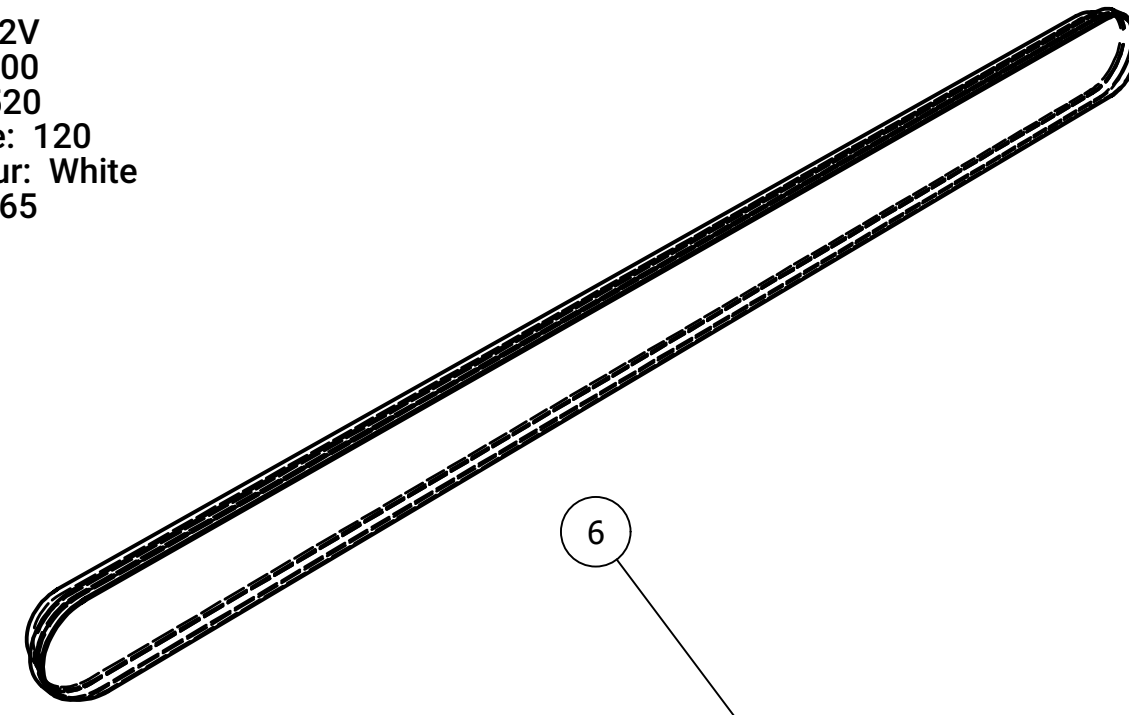


Radar motion sensor
 Detection Distance: 15 m
 Multi-Voltage: 10- 15VDC
 Intensity Level: 0.05 A
 Dimmable: Yes
 IP Protection: 65
 Size: 34xØ50 mm
 Diameter: Ø50 mm
 Total Weight: 0.05kg
 Motion Detector: PIR
 Air Temp. For Operation: -40°C / +65°C
 Certifications: CE & RoHS



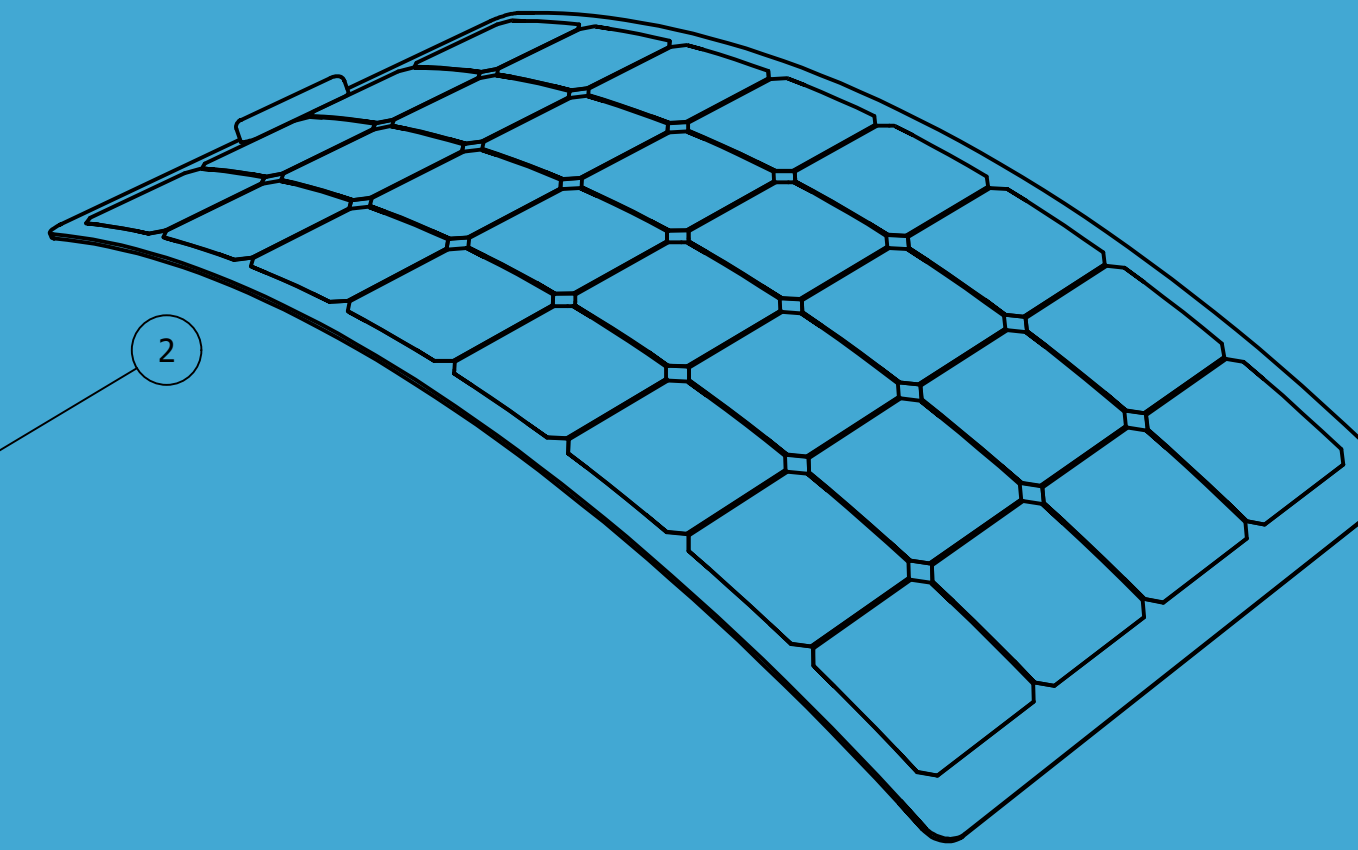
Led Light

Voltage: 12V
 Colour: 6500
 Lumens: 520
 Beam angle: 120
 Finish colour: White
 IP Rating: 65



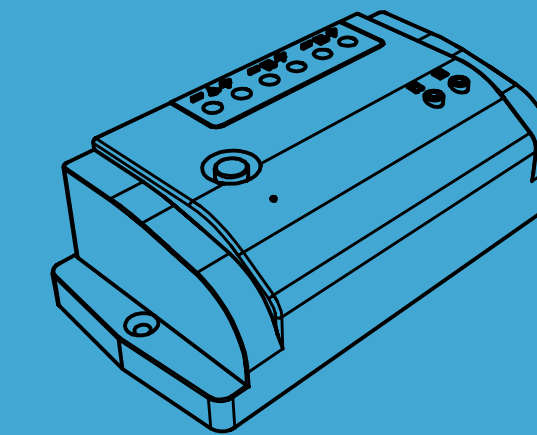
Solar Panel Specifications

Maximum Power (Pmax): 160W
 Maximum Power Current (Ipm): 8.89A
 Maximum Power Voltage (Vpm): 18V
 Short Circuit Current (Isc): 9.6A
 Open Circuit Voltage (Voc): 21.6V
 Nominal Operating Cell Temp. (NOCT): -45 to 80°C
 Maximum System Voltage: DC600V
 Size: 1330 x 665 x 4mm
 Weight: 4.70 kg
 Maximum amp output 53Amps



Solar Controller

Fully automated operation and auto 12/24V selection
 3 pairs of terminals (solar panel, battery, load) for wires up to 16mm²
 Maximum solar panel voltage 100V
 Maximum solar panel power 260W (12V) / 520W (24V)
 Temperature sensor for automatic compensation (-3mV/°C/2V)
 Comprehensive electronic protection features
 Communication port: RS485/RJ45 interface
 Grounding: negative common ground
 Current limiting function (20A)
 Self-consumption: <12mA
 Working temperature: -25°C to +50°C
 Size: 22 x 15.4 x 5.2 cm
 Mounting dimension: 17 x 14.5 cm
 Weight: 0.94kg



USB Charger Universal

- Universal fit for any USB Type-A connector.
- Charge up to 2 devices at a time.
- Easy Install
- Click & Lock Lid

Waterproof Charging

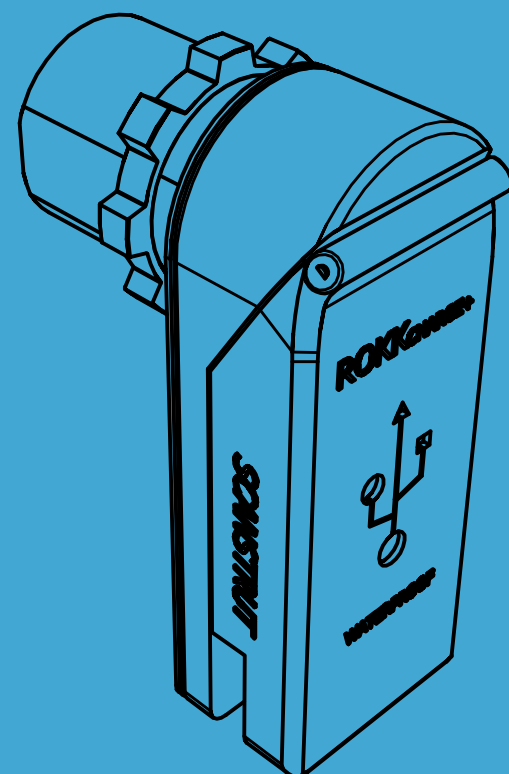
- Output current 4.2A (total)
- IPX6 waterproof with the cover closed.
- Up to 3x faster than standard USB sockets.
- Waterproof with 1, 2 and even no cables plugged in.

Marine Ready

- Anti-corrosion coating on circuit board.
- UV resistant.
- 316 stainless hinge and spring.

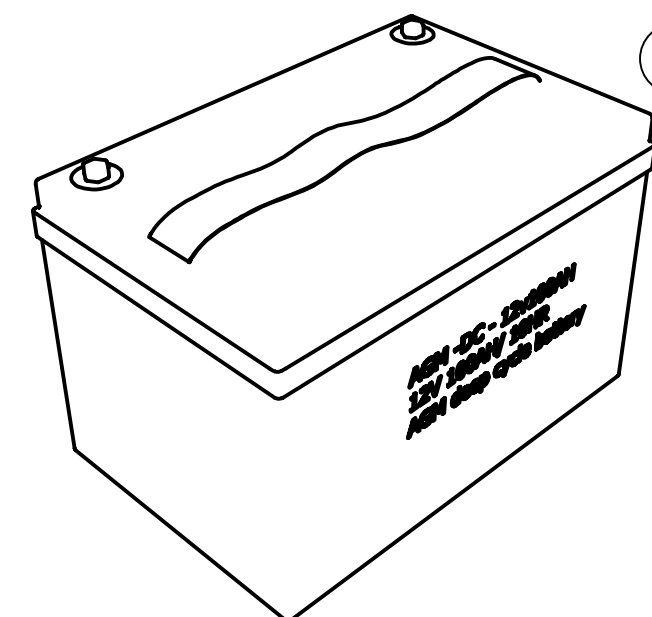
Design

- Ultra low profile: only 29mm high, 94mm long.
- Anti-snap cover aligns cables when closed.



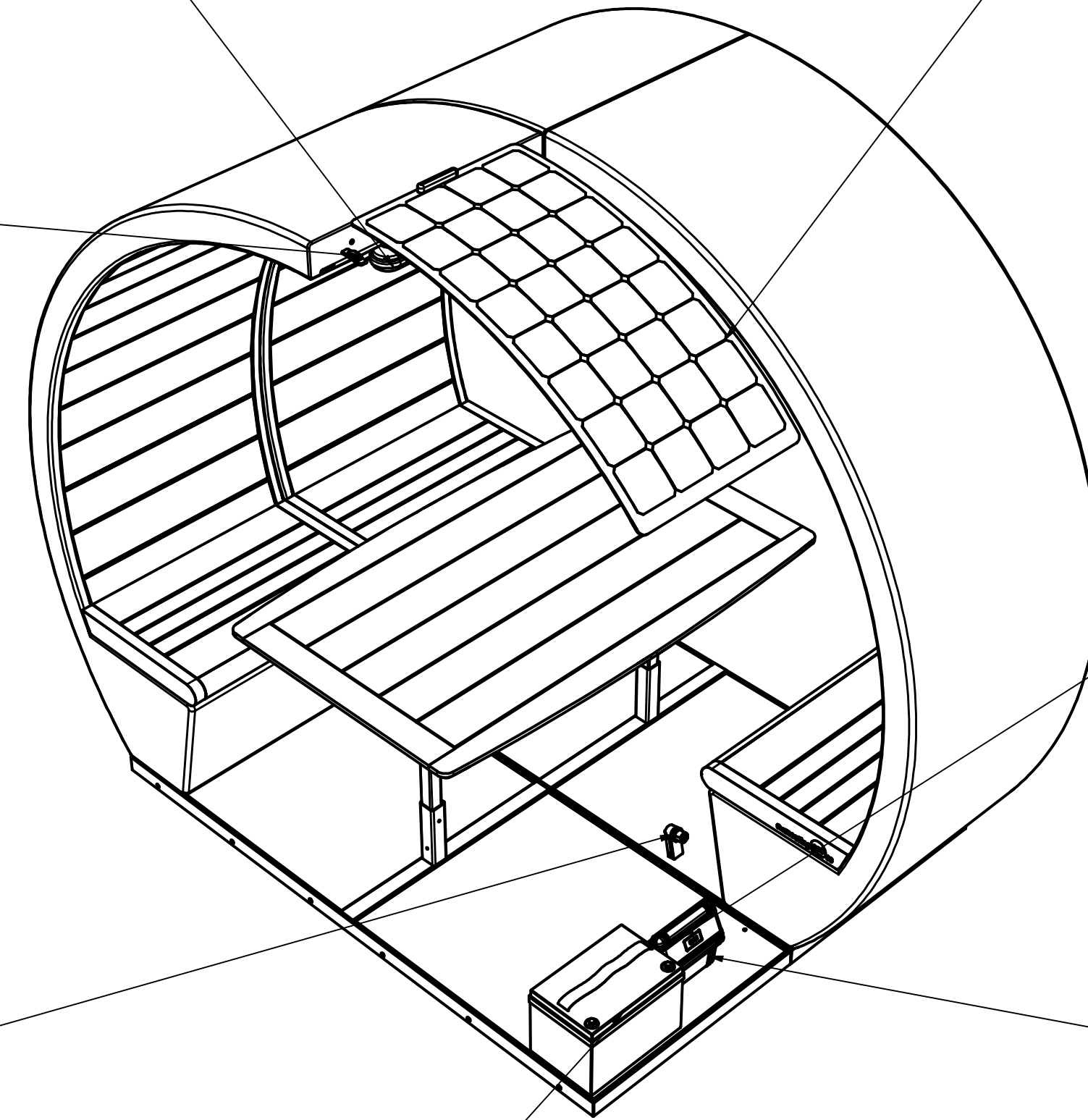
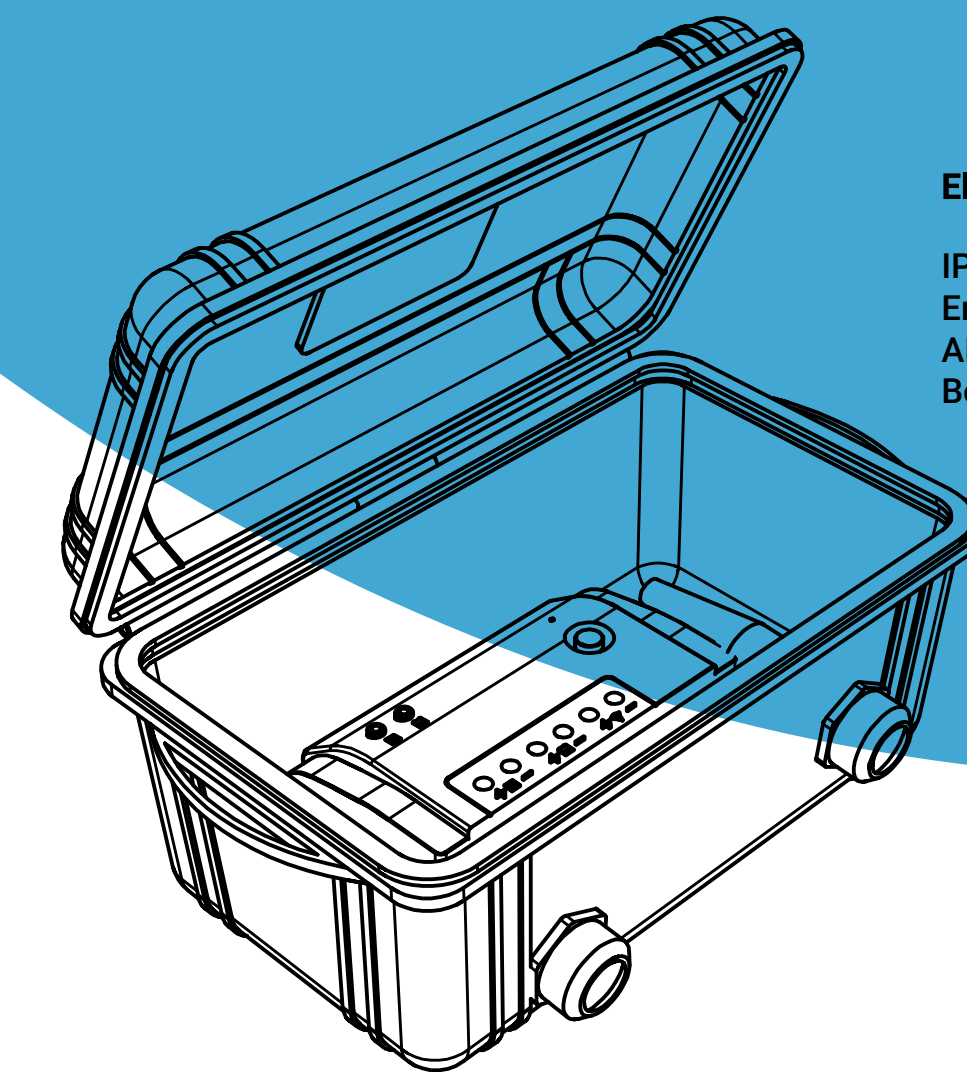
12V Battery specification

Nominal voltage: 12V
 Nominal capacity: 100Ah (10h rate) / 108Ah (20h rate)
 Maximum charging current: 20A
 Self-discharging rate: <1% per month
 Cycle lifetime at 30% D.O.D.: 1200-1300
 Pressure control: safety valve installed
 Terminal type: F13 (bolts and washers included)
 Operating temperature: from -10C to +50C
 Size: 331 x 173 x 217 mm
 Weight: 30.3 kg



Electrical Casement

IP rating: 65
 Enclosure material: ABS
 ABS -HB flame retardant plastic
 Body colour: grey



| PARTS LIST | | | | | |
|------------|-----|------------------------------|---------------------------------|---------|--------------|
| ITEM | QTY | PART NUMBER | Location | Voltage | IP Rating |
| 1 | 1 | 4 Person open ring | | | |
| 2 | 1 | 160W solar panel | Outside of shell | 12V | NA |
| 3 | 2 | Waterproof scanstrut charger | Fit through seatbase | 12V | IPX6 |
| 4 | 1 | 100 AH battery | Fit within seatbase, solar side | 12V | N/A enclosed |
| 5 | 1 | Electrical Casement | Fit within seatbase, solar side | 12V | IP66 |
| 6 | 1 | 12V 4 person light | Inside curve, highest point | 12V | IP65 |
| 7 | 1 | 12v photocell sensor | Side of solar | 12V | IP65 |

| | | | | |
|----------------------|--|-------------------------------|--------------|-----|
| DRAWN Tom Dunford | | the meeting pod .co.uk | | |
| CHECKED | | TITLE | | |
| QA | | Solar Specification | | |
| MFG | | SIZE | DWG NO | REV |
| APPROVED | | SCALE | SHEET 1 OF 1 | |