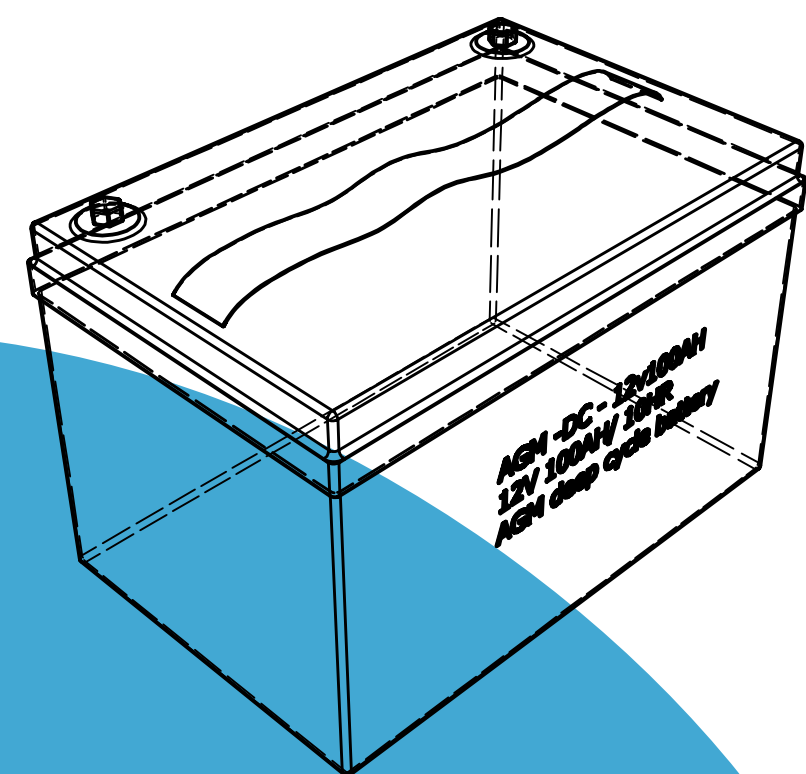


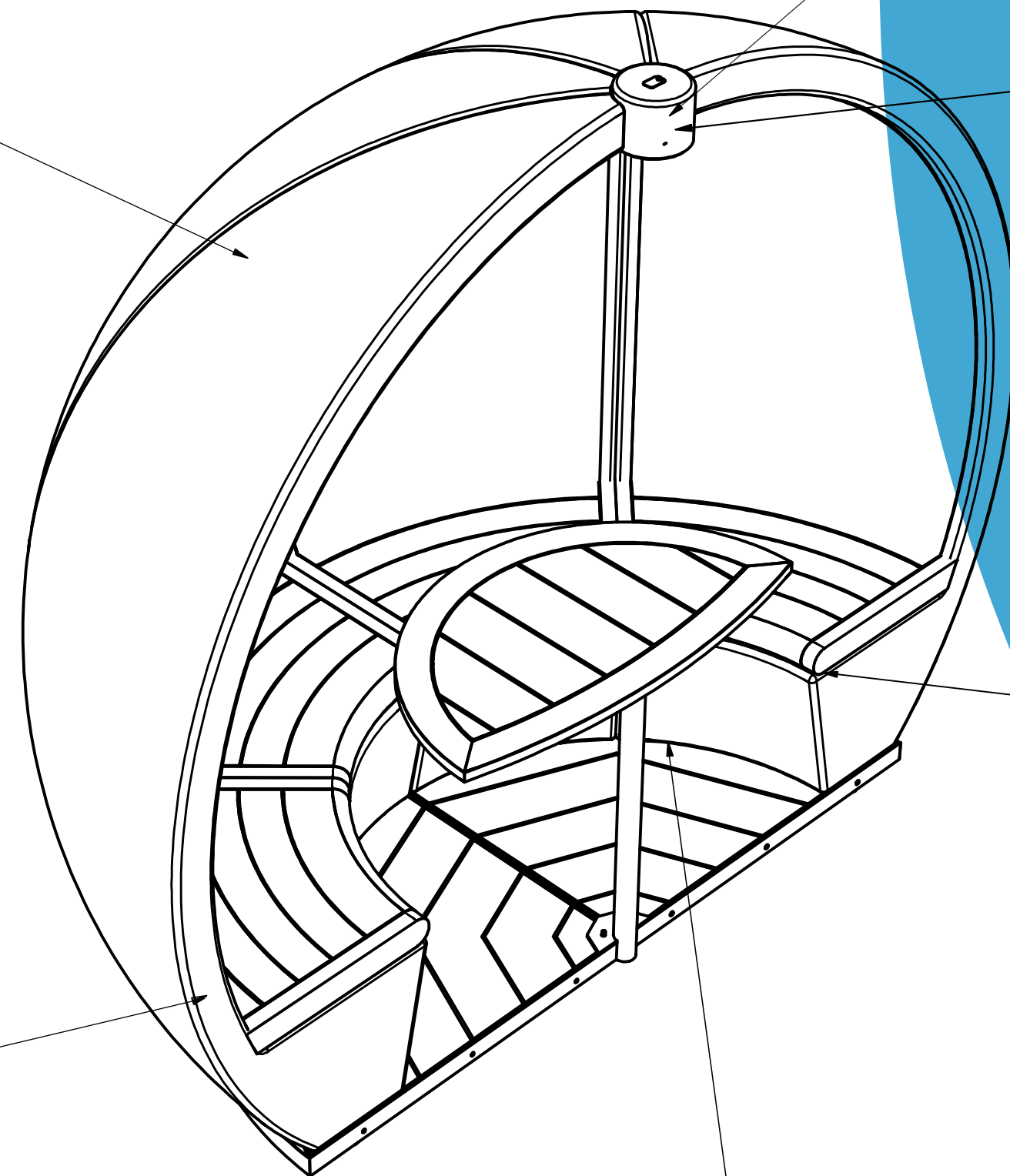
**Solar Panel Specifications**

Peak power: 80W  
 Maximum power voltage: 20.2V  
 Maximum power current: 3.96A  
 Open circuit voltage: 23.9V  
 Short circuit current: 4.20A  
 Power allowance range: +/- 5%  
 Solar Panel Dimensions: 1365 x 350 x 4 mm  
 Junction Box Dimensions: 90 x 16 x 16 mm  
 Weight: 3.05 kg  
 2 x 1m of high quality single core solar cable (4mm<sup>2</sup> cross section) Male and female MC4 connectors



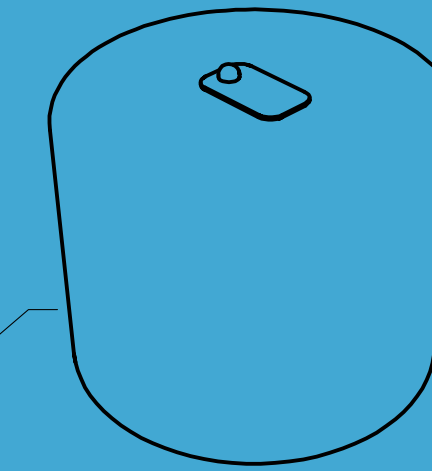
**12V Battery Specification**

Nominal voltage: 12V  
 Nominal capacity: 100Ah (10h rate) / 105Ah (20h rate)  
 Maximum charging current: 25A  
 Self-discharging rate: <3% per month  
 Cycle lifetime at 30% D.O.D.: 1000-1100  
 Pressure control: safety valve installed  
 Terminal type: F13 (bolts and washers included)  
 Operating temperature: from +10C to +40C  
 Size: 331 x 173 x 217 mm  
 Weight: 30.0 kg



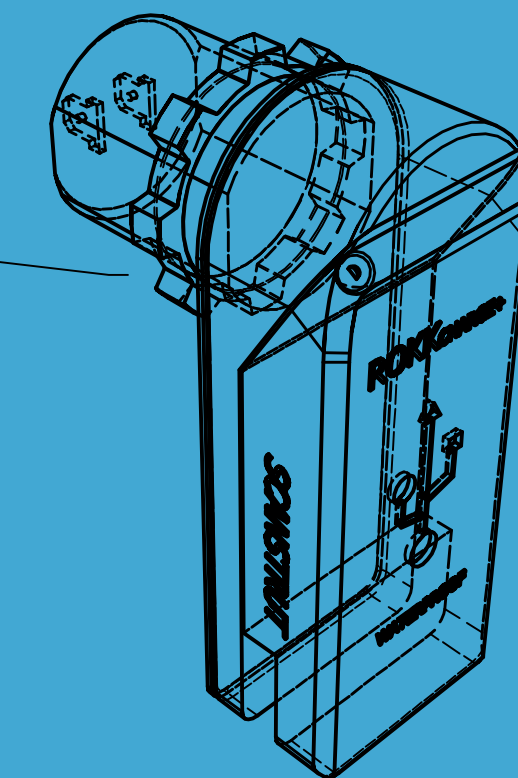
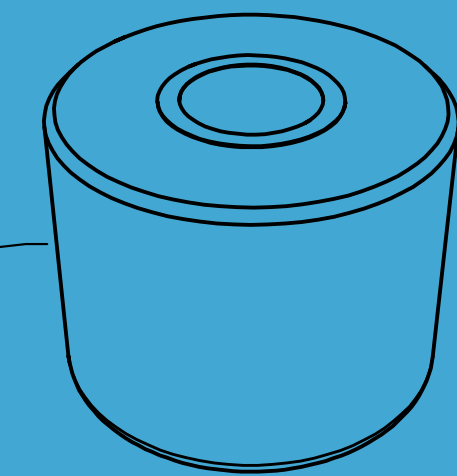
**Dusk Till Dusk Sensor**

Colour: white  
 Operating voltage: 12v  
 Location: top of light housing



**Led Light**

Voltage: 12V  
 Colour: 4500  
 Lumens: 600  
 Beam angle: 120  
 Finish colour: Black  
 IP Rating: 65

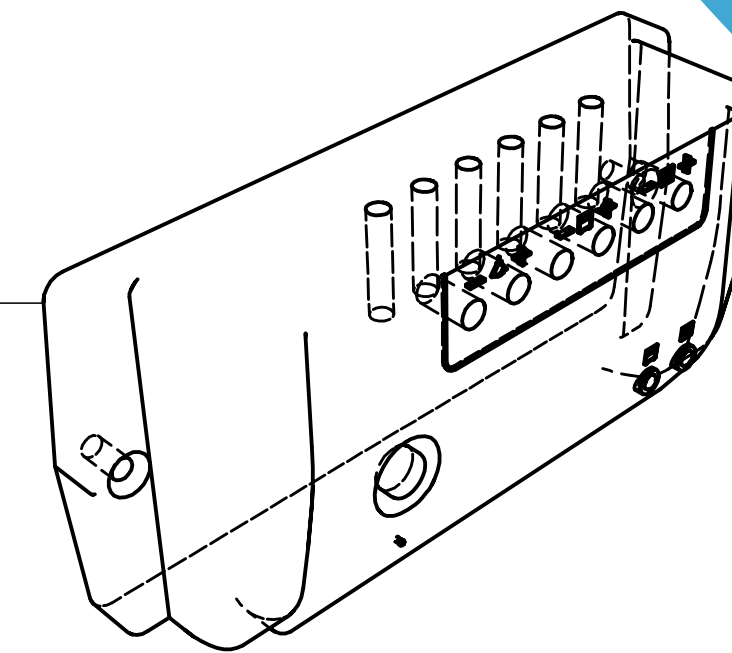


**USB Charging**

Universal fit for any USB Type-A connector.  
 Charge up to 2 devices at a time.  
 Easy Install  
 Click & Lock Lid  
 Output current: 4.2A (total)  
 IPX6 waterproof with the cover closed.  
 Up to 3x faster than standard USB sockets.  
 Waterproof with 1, 2 and even no cables plugged in.  
 Anti-corrosion coating on circuit board.  
 UV resistant.  
 316 stainless hinge and spring.  
 Ultra low profile: only 29mm high, 94mm long.  
 Anti-snap cover aligns cables when closed.  
 Standard barrel size also fits existing USB sockets.

**Solar Controller**

Fully automated operation and auto 12/24V selection 3 pairs of terminals (solar panel, battery, load) for wires up to 16mm<sup>2</sup>  
 Maximum solar panel voltage: 100V  
 Maximum solar panel power: 390W (12V) / 780W (24V)  
 Temperature sensor for automatic compensation (-3mV/°C/2V)  
 Comprehensive electronic protection features  
 Communication port: RS485/RJ45 interface  
 Grounding: negative common ground  
 Current limiting function: (30A)  
 Self-consumption: <12mA  
 Working temperature: -25°C to +50°C  
 Size: 22.8 x 16.4 x 5.5 cm  
 Mounting dimension: 17 x 16.4 cm  
 Weight: 1.26kg  
 Multiple mounting holes (5mm diameter) for ease of installation



DRAWN Tom Dunford		the <b>meeting</b> pod .co.uk		
CHECKED				
QA		TITLE		
MFG		Outdoor Orb Pod Solar Specification		
APPROVED		SIZE	DWG NO	REV
		SCALE	SHEET 1 OF 1	