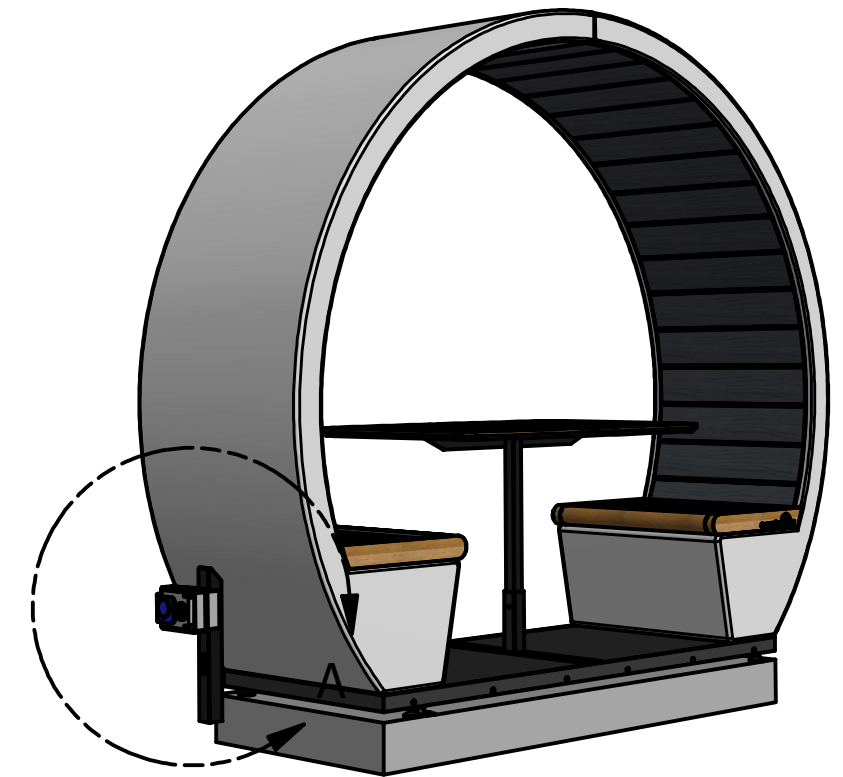
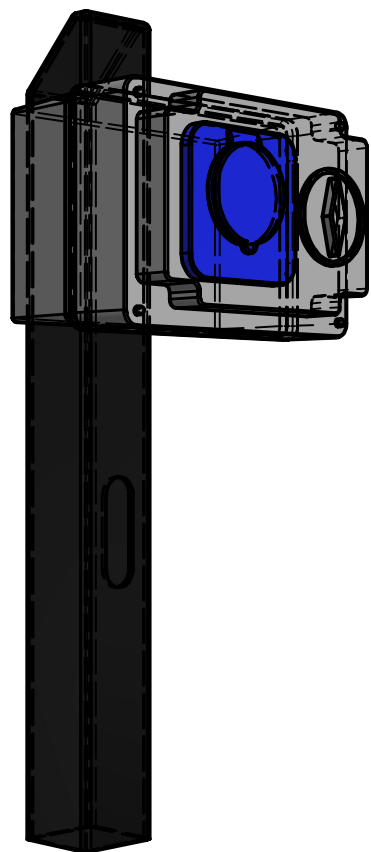


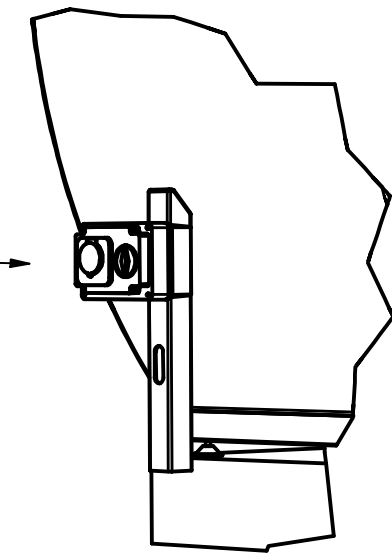
- Supply 16 AMP supply through armoured cable
- Suitable post options hardwood/ treated timber, stainless box, aluminum or powder coated box steel 50mm
- Attach industrial socket IP 67 240v 16amp switched to post with connection facing away from pod.
- See post example below, post height no taller than 450mm
- **Note** projection of pod increases over footing footprint
- Pods designed to plug and play upon installation



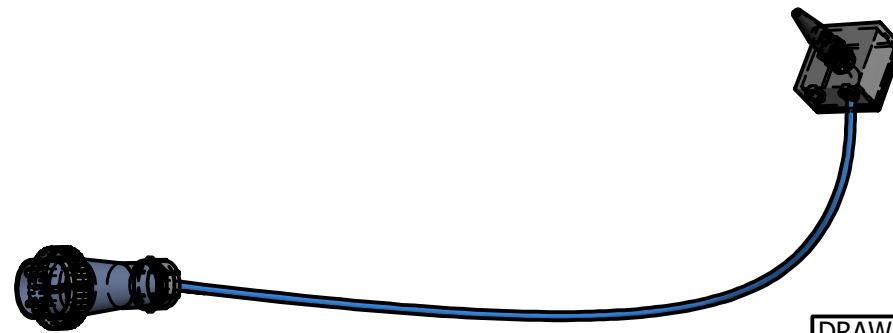
**Post Example**



Face connection face away from pod



**DETAIL A**  
SCALE 0.08 : 1



Connection exiting the pod has up to 2 metre reach

|          |             |            |                                    |                           |              |
|----------|-------------|------------|------------------------------------|---------------------------|--------------|
| DRAWN    | Tom Dunford | 27/04/2022 | The Meeting Pod Company            |                           |              |
| CHECKED  |             |            | TITLE                              |                           |              |
| QA       |             |            | Open/Part open supply requirements |                           |              |
| MFG      |             |            |                                    |                           |              |
| APPROVED |             |            |                                    |                           |              |
|          |             |            | SIZE                               | DWG NO                    | REV          |
|          |             |            | A3                                 | open service requirements |              |
|          |             |            | SCALE                              | 1/25                      | SHEET 1 OF 1 |