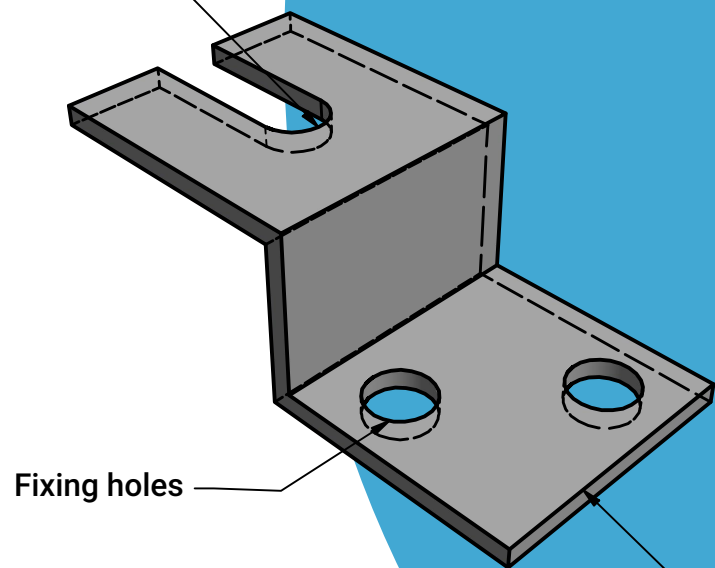
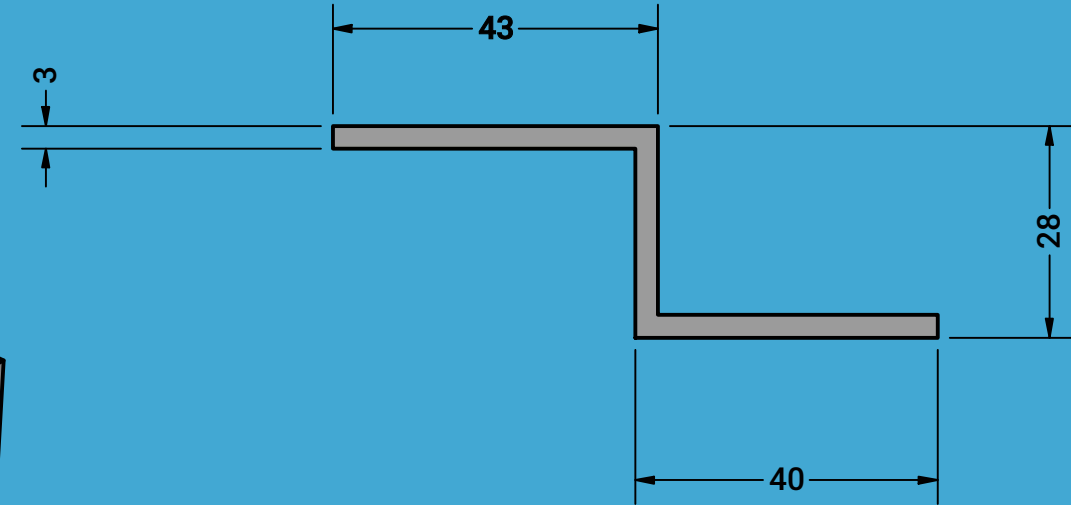


DETAIL B
SCALE 1 / 6



Fixing holes

Stainless steel 316



Each two person floor module contains 4 leveling feet. The M8 leveling feet are tapped through the steel floor sub frame and anchored down inside the seat cavity with a square plate washer and M8 Nut.

Stainless steel Z brackets slot over the castor foot and are anchored into the ground. Each two person floor module contains 2 x Z brackets slotted in opposite directions.

Anchoring Down

Concrete footing or existing slab = 2 x M6 x 60mm stainless coach bolt per bracket fixed into plastic rawl plug.

DRAWN Tom Dunford		the meeting pod .co.uk		
CHECKED				
QA		TITLE		
MFG		Anchoring Down Outdoor Pods		
APPROVED				
		SIZE	DWG NO	REV
		SCALE 1 : 1	SHEET 1 OF 1	